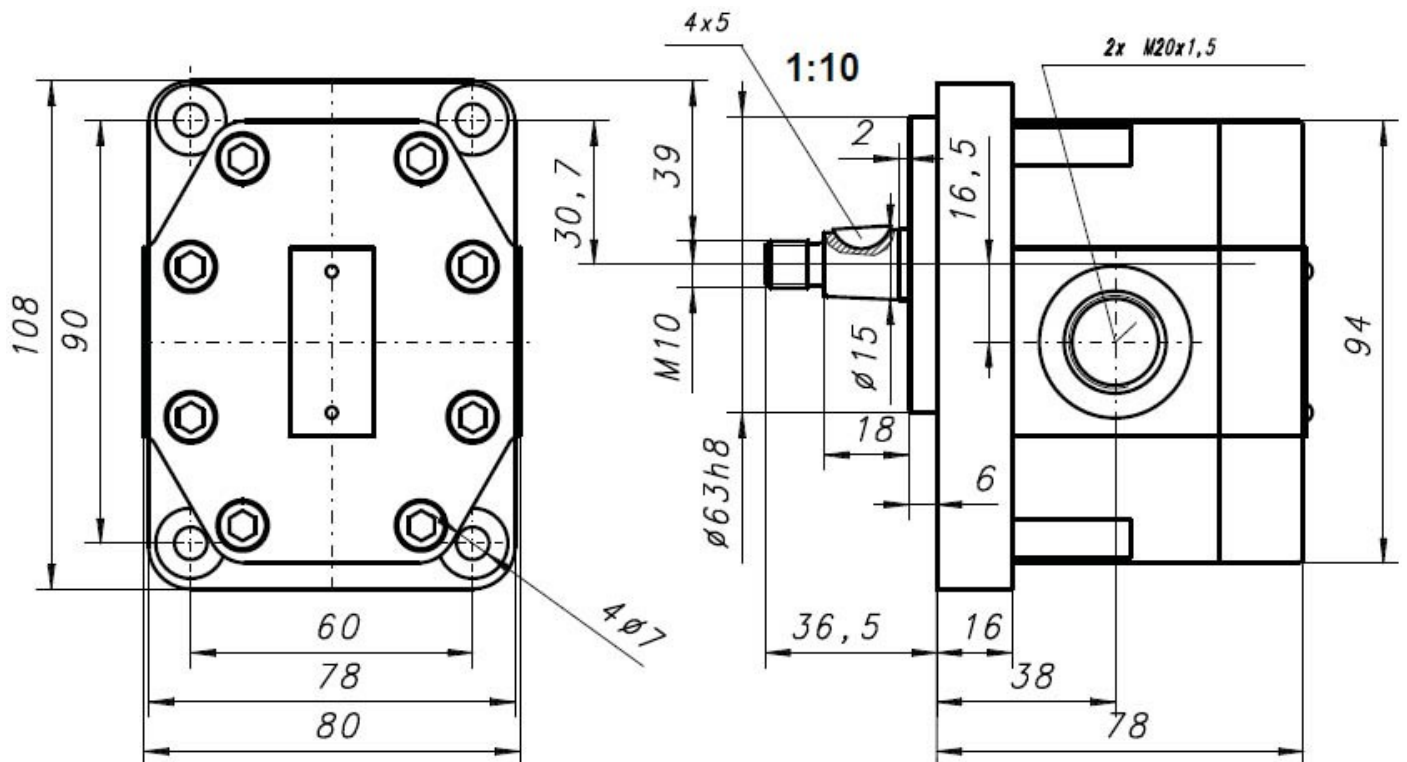




ZAMIENNIKI POMP PZ (PZL-HYDRAL)

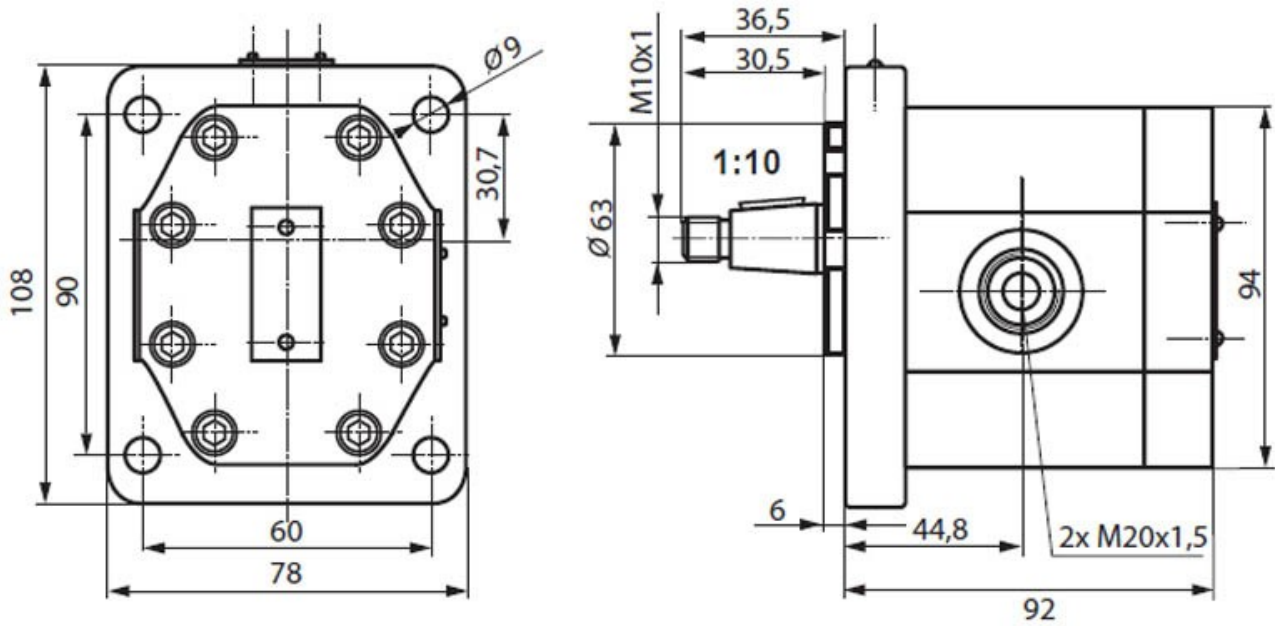
Pompa PZ (PZL-Hydral)	Zamiennik
PZ-6,3	PZ2-KS-6,3
PZ-6,3A	Brak
PZ-10	PZ2-10
PZ-10A	PZ-10A
PZ-18	PZ-18T
PZ-18A	PZ-18AT (żeliwna)
PZ-25TW	PZ2-KZ-25
PZ-40	PZ2-KZ-40
PZ-40A	PZ2-AZ-40
PZ-63 i PZ-63T	3PZ4T1-46/16-* -2
PZ-63A i PZ-63AT	3PZ4T2-46/16-* -2
PZ-100 i PZ-100T	3PZ4T1-80/12,5-* -2
PZ-100A i PZ-100AT	3PZ4T2-80/12,5-* -2

PZ2-KS-6,3

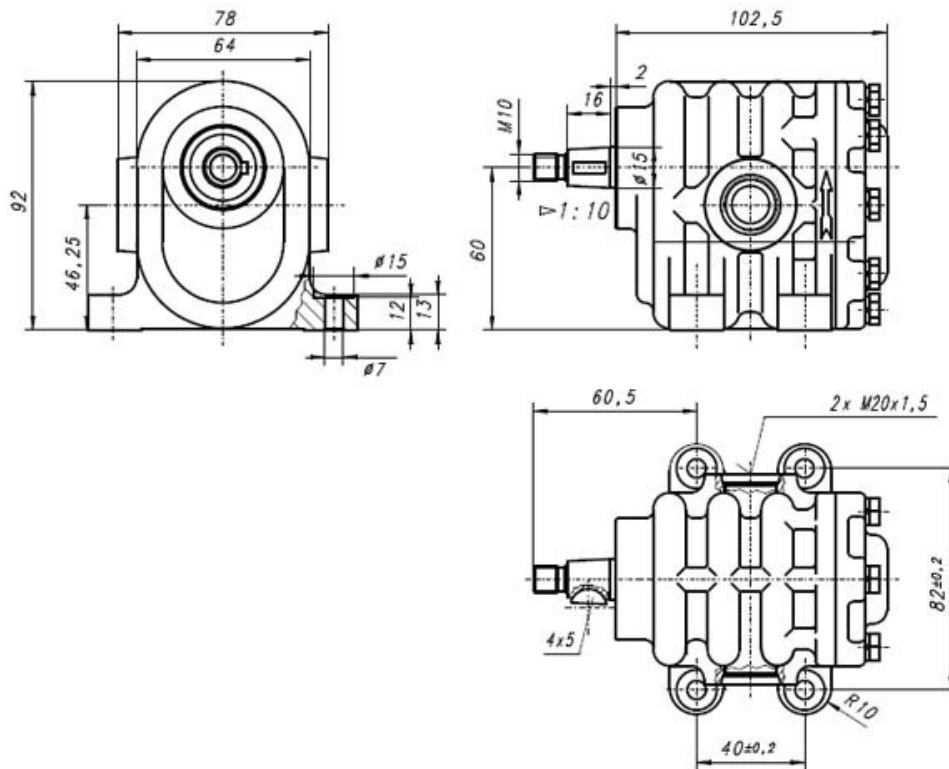




PZ2-10

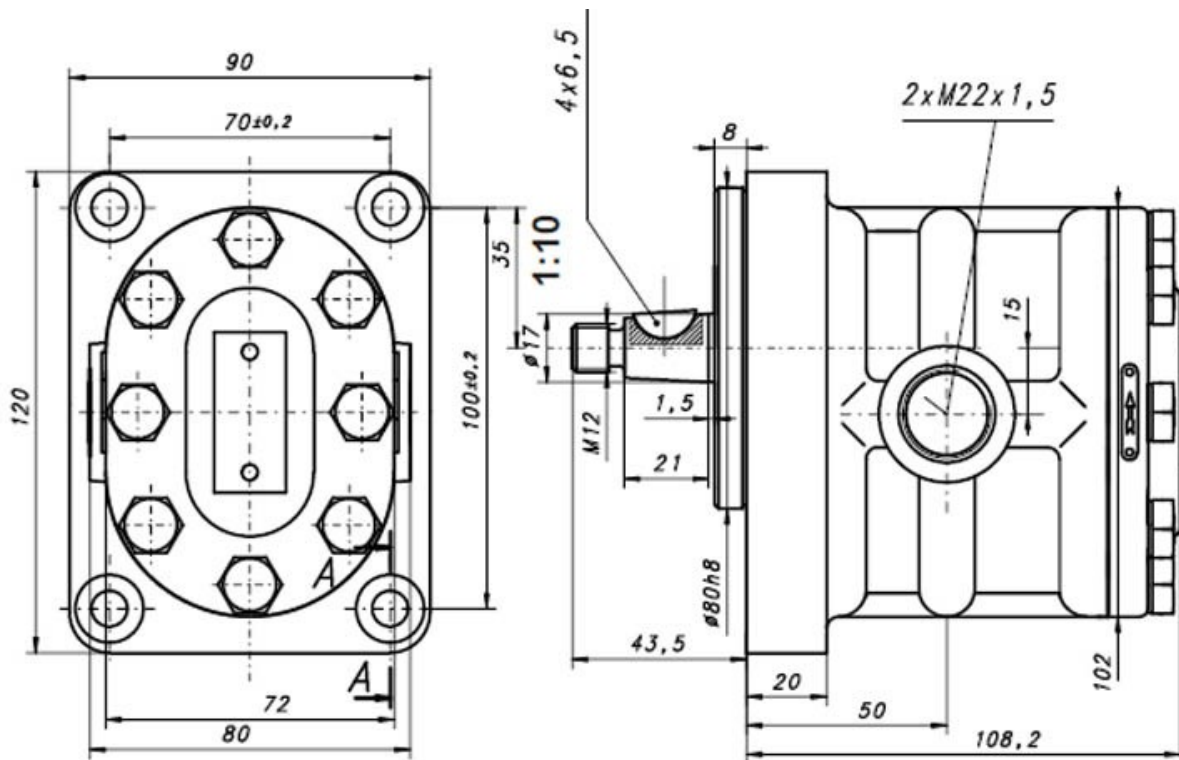


PZ-10A

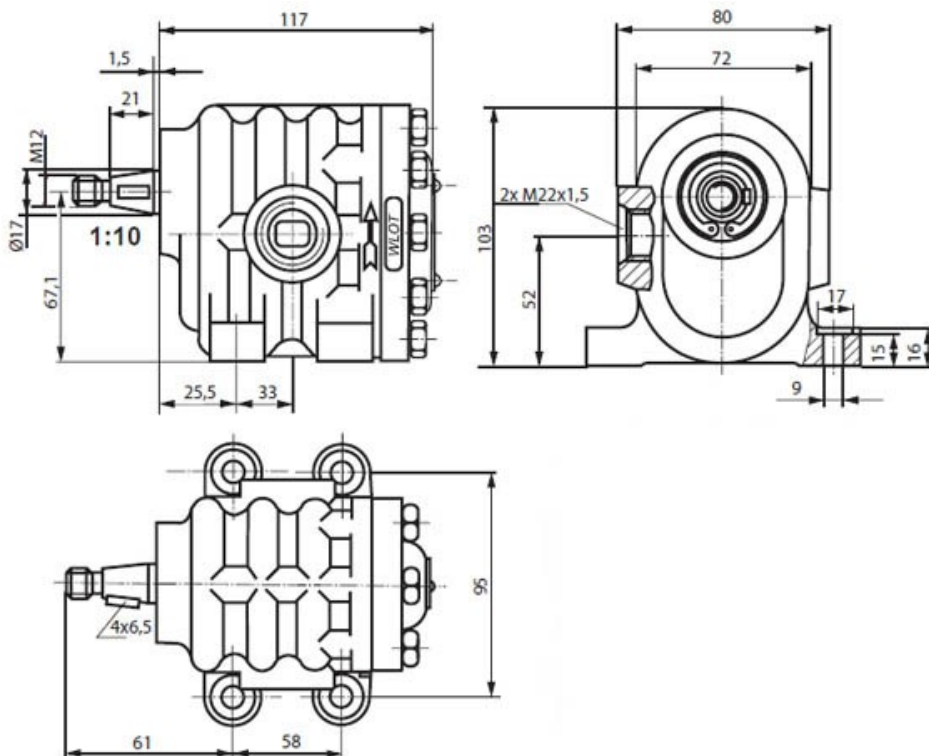




PZ-18T

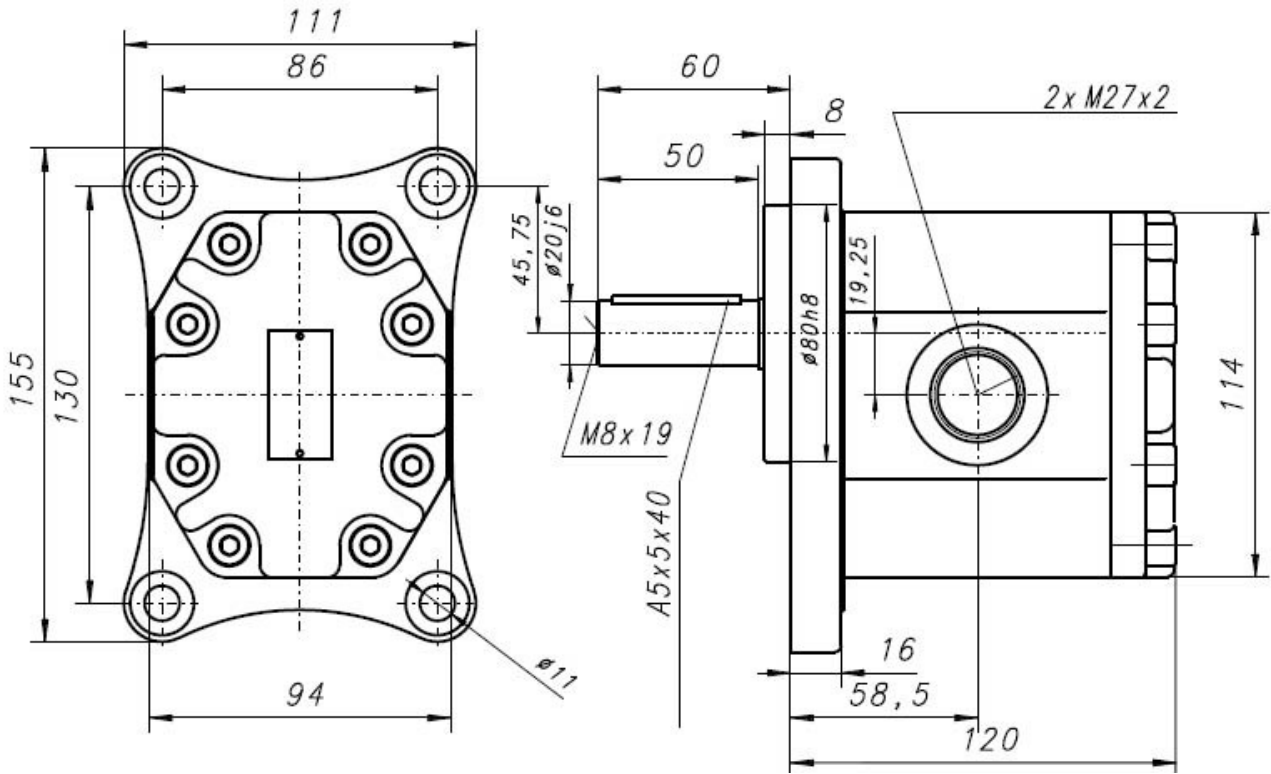


PZ-18AT

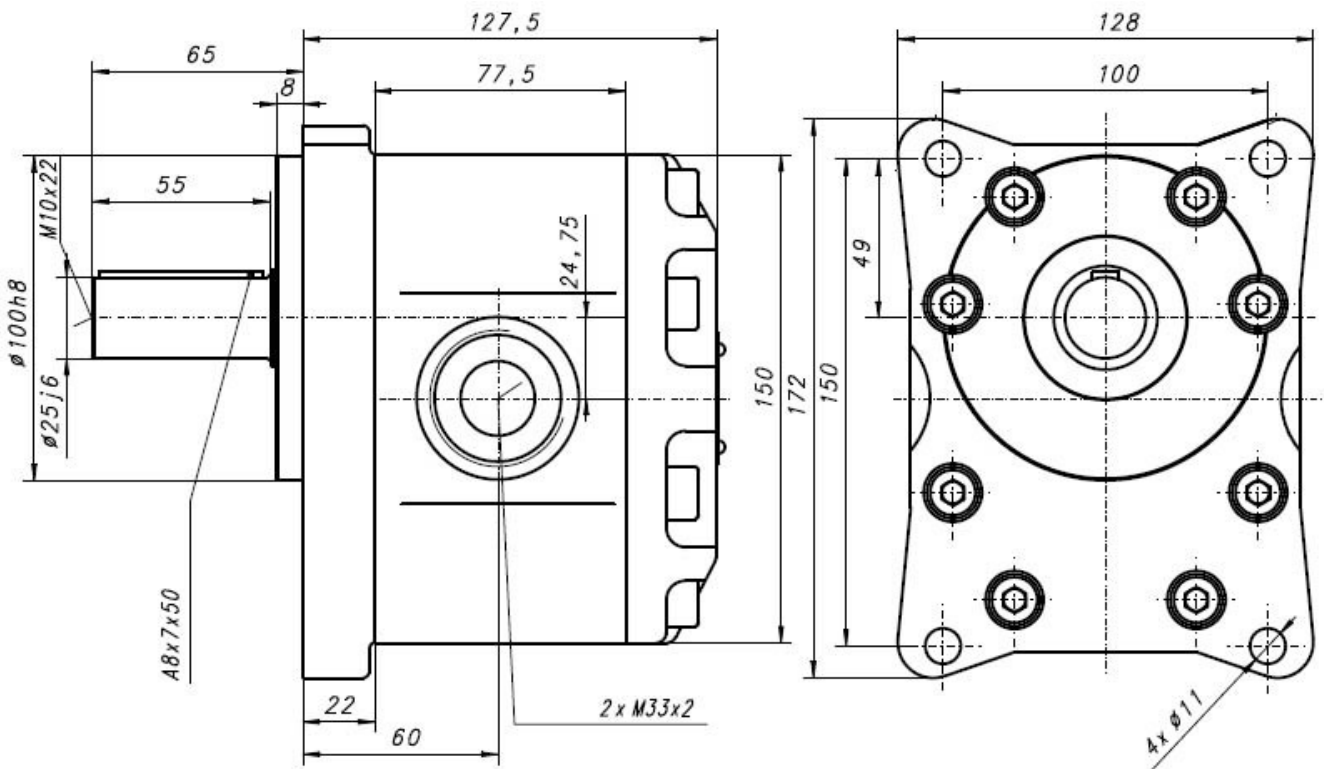




PZ2-KZ-25

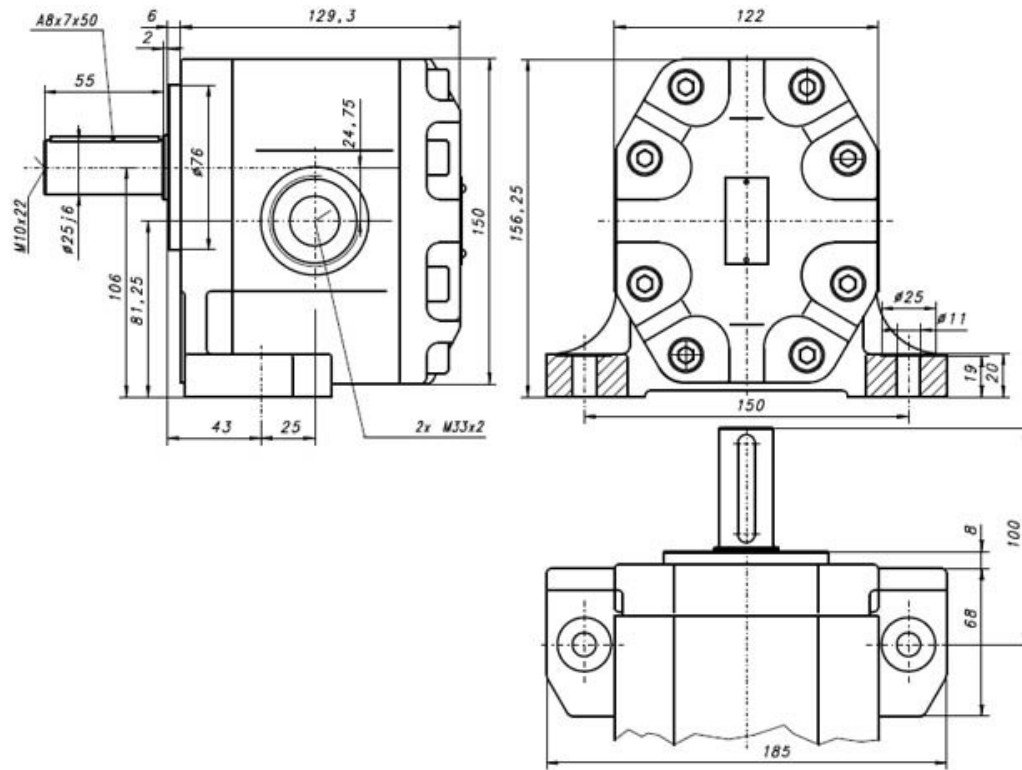


PZ2-KZ-40

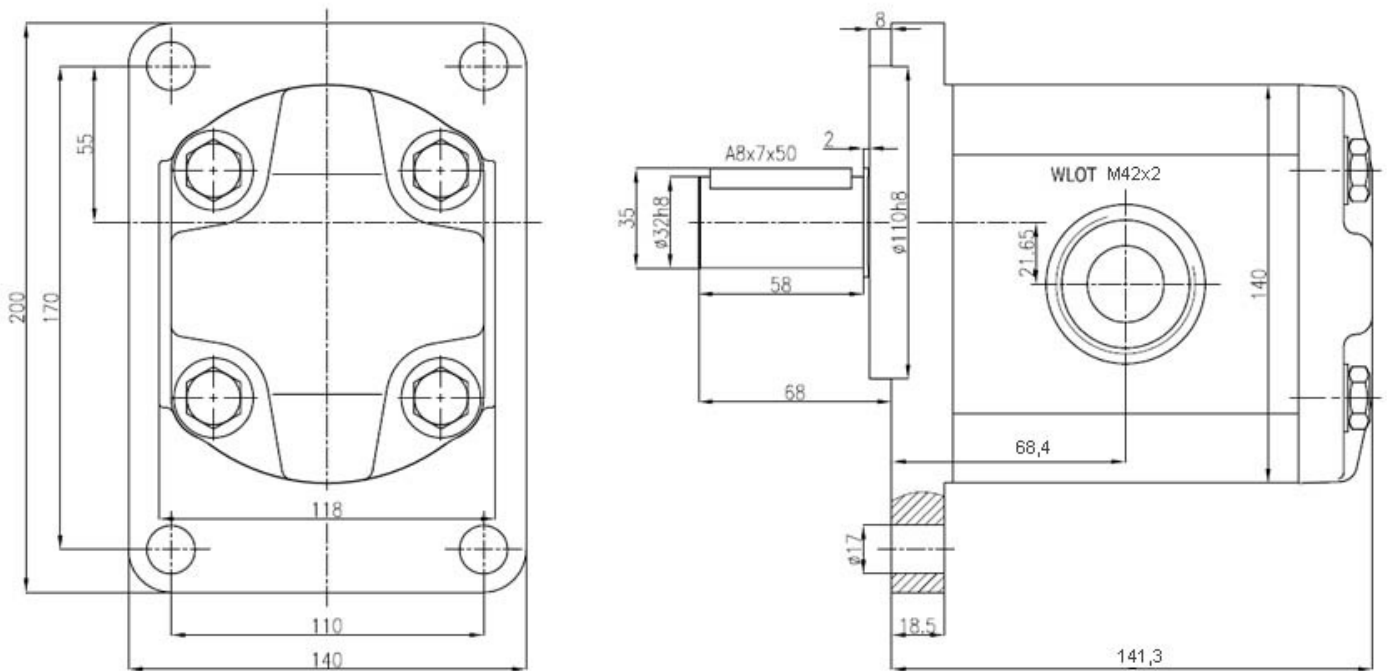




PZ2-AZ-40

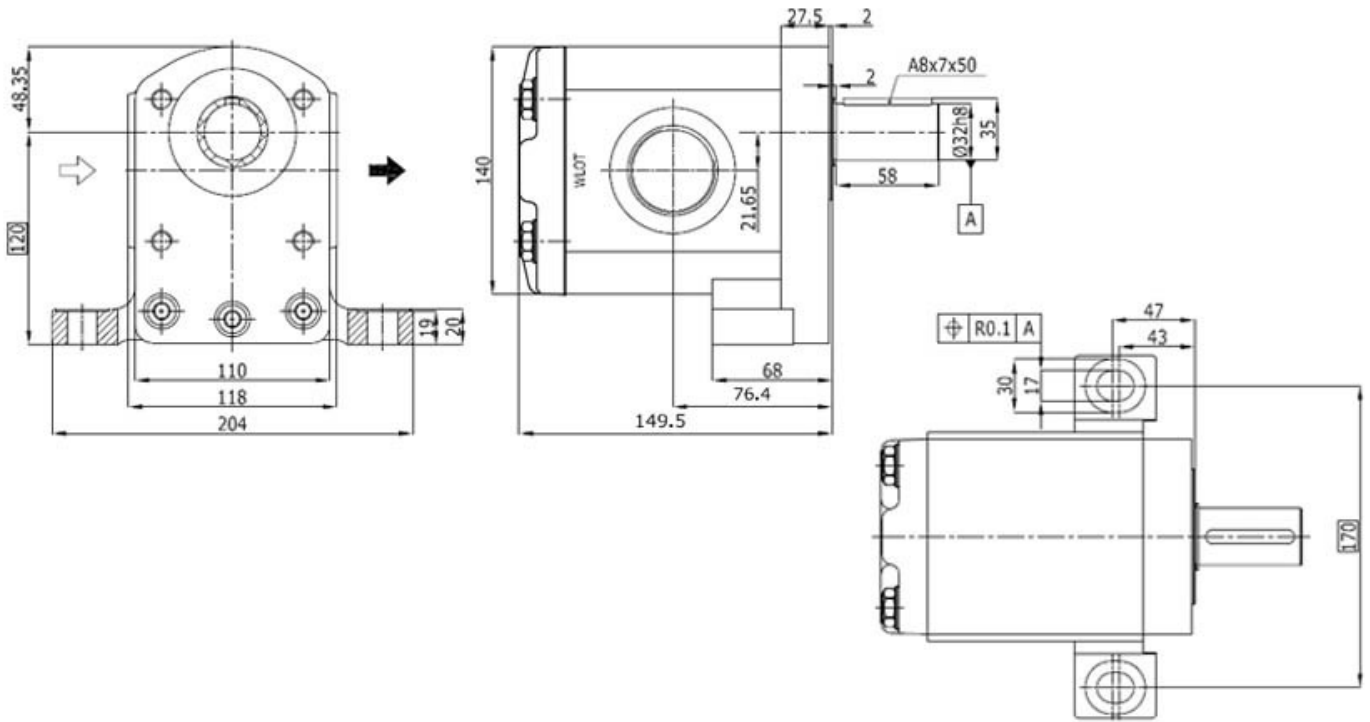


3PZ4T1-46/16-*-2

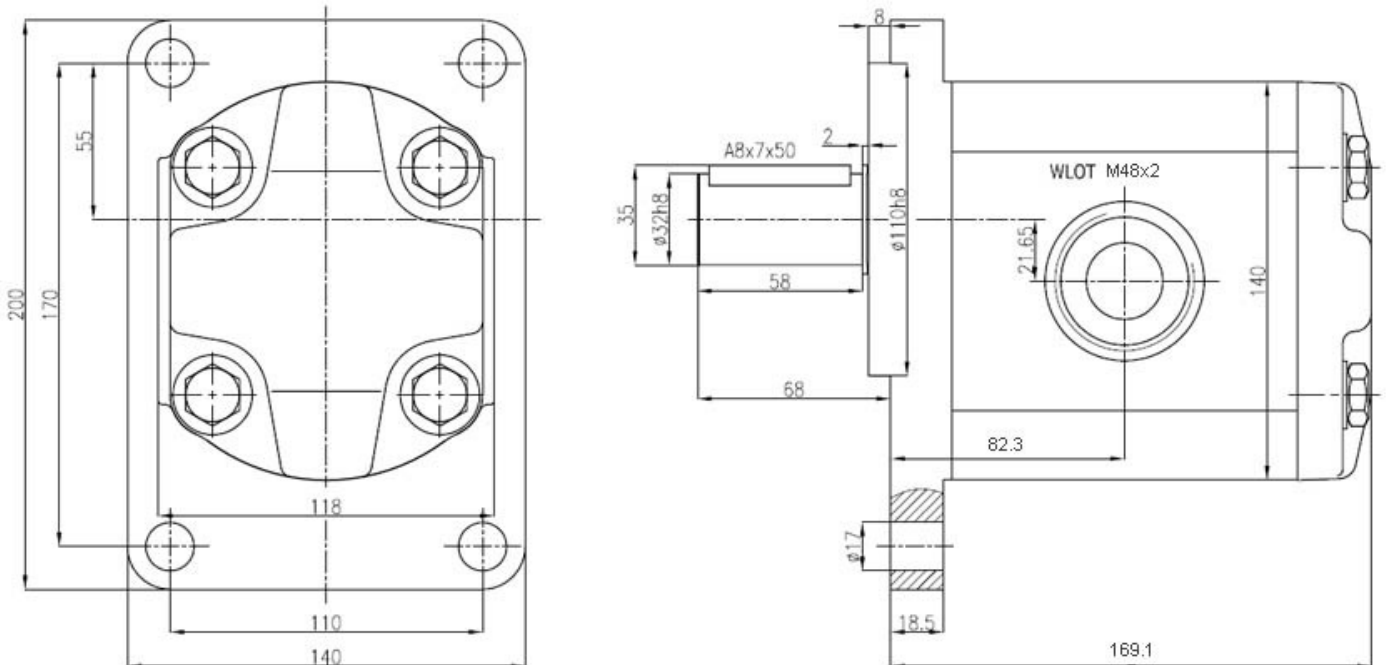




3PZ4T2-46/16-*-2



3PZ4T1-80/12,5-*-2





3PZ4T2-80/12,5-*--2

